

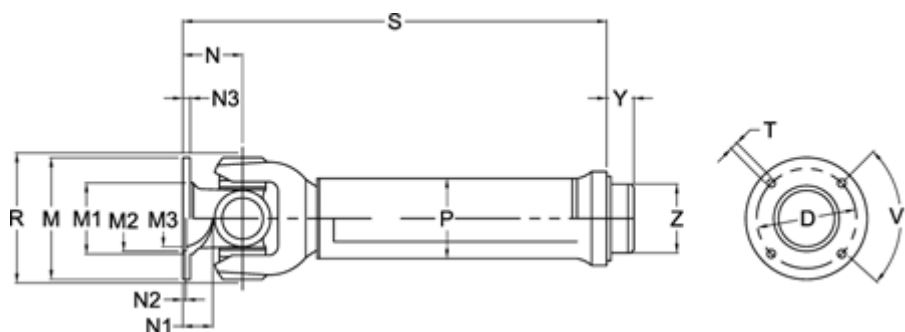
# Data Sheet



Article number: 071200700448110

Description: Cardan drive shaft 0.120.070.001  
S=448 X=110 Bore with keyway

## Measures



D	= 155,5 +/-0,1	N1	= 32	T	= 16 B
Extension X	= 110	N2	= 3,6 +/-0,5	V1 degrees	= 36
Flange diameter M	= 180	N3	= 14	Y	= 30
M1	= 118	Number of Flangeholes	= 10	Z	= 98.25
M2	= 110	P	= 110x6		
M3	= 104	R1	= 178		
Max. Bending Angle degrees	= 30	S min	= 448		
N	= 96	Spline dim. DIN 5480	= 75x2,5x28		